

1:COB UNDERGROUD LAMP SERIES

PAGE 2-8

2:LANDSCAPE SERIES

PAGE 9-15

3:COB LED GARDEN SPIKE LAMPS

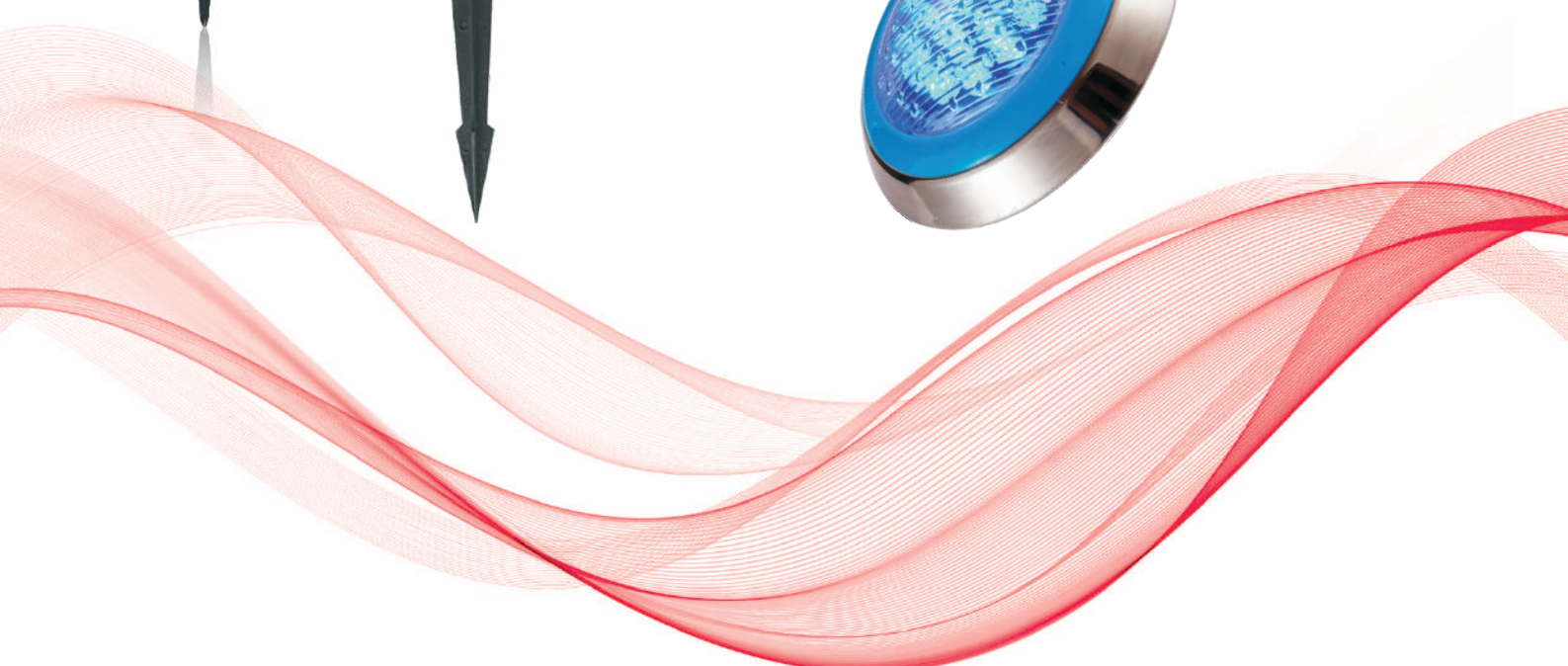
PAGE 16-24

4:LED MINI INGROUND LAMP

PAGE 25-3

5:LED SWIMMING POOL LAMPS

PAGE 32-37



# COB UNDERGROUND LAMPS

certificate  
**CE EMC CB**  
SERIES



**5/7W**  
power

**DL-MDD-CA110**



**10W**  
power

**DL-MDD-CA120**



Epistar COB



Stainless Cover+screws



Diecasting housing

## 2020 New developed products

### Areas of application

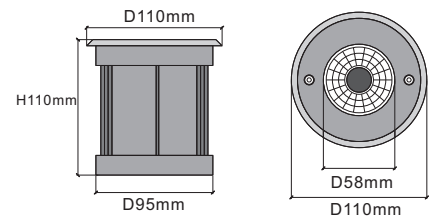
- Architectural lighting
- Wall-washer
- Landscape Lighting



### Product benefits

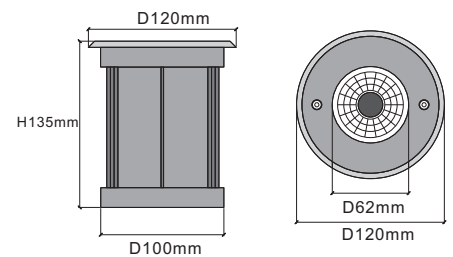
- Multi-colors chips colors for single colors.
- High bright Bridgelux COB chips, low power consumption, no ultraviolet.
- Easy to install, excellent Ip65 grade for better outdoor using.
- Anodized Diecasting, more efficient and faster to heat dissipate.
- Stainless cover and Toughened glass for stronger to body.

### Dimension



### Product features

- Widely used for decorative outdoor lighting.
- Unique reflective cup design with good performance effect.
- High-end certificate drive, ensure good working stability.
- 3-5M effective distance.
- Energy saving 80% to replace metal halide light.



### Technical data

Item No.	Watts	Size(mm)	Cut hole	Temperature	LED Chips	Warranty
DL-MDD-CA110	5/7 W	D110*H110	D95*H110	W/WW/Y/R/G/B	Epistar/Bridgelux/Cree	3 Years
DL-MDD-CA120	10 W	D120*H135	D100*H135	W/WW/Y/R/G/B	Epistar/Bridgelux/Cree	3 Years
	IP Grade	Volt.	Material	G. W (KG)	Packing	
	IP 65	AC85-265V	Stainless+Diecasting	0.65	20PCS/62*26*26CM	
	IP 65	AC85-265V	Stainless+Diecasting	0.86	20PCS/67*28*30CM	



# COB UNDERGROUND LAMPS

certificate  
**CE EMC CB**  
SERIES

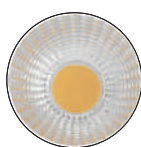


**20W**  
power

**30W**  
power

**DL-MDD- CA180**

**DL-MDD- CA200**



Epistar COB



Stainless Cover+screws



Diecasting housing

## 2020 New developed products

### Areas of application

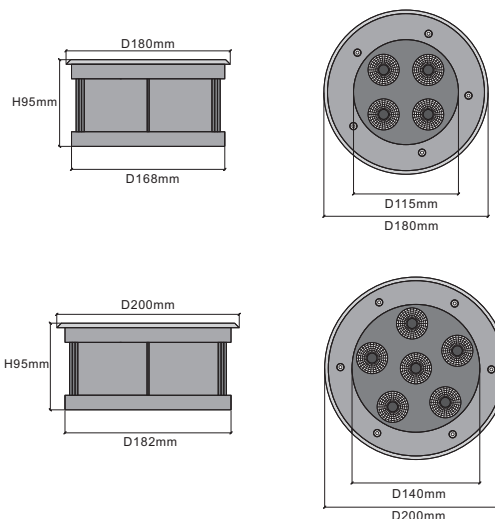
- Architectural lighting
- Wall-washer
- Landscape Lighting



### Product benefits

- Multi-colors chips colors for single colors.
- High bright Bridgelux COB chips, low power consumption, no ultraviolet.
- Easy to install, excellent Ip65 grade for better outdoor using.
- Anodized Diecasting, more efficient and faster to heat dissipate.
- Stainless cover and Toughened glass for stronger to body.

### Dimension



### Product features

- Widely used for decorative outdoor lighting.
- Unique reflective cup design with good performance effect.
- High-end certificate drive, ensure good working stability.
- 6-10M effective distance.
- Energy saving 80% to replace metal halide light.

### Technical data

Item No.	Watts	Size(mm)	Cut hole	Temperature	LED Chips	Warranty
DL-MDD-CA180	20 W	D180*H95	D168*H95	W/WW/Y/R/G/B	Epistar/ Bridgelux/Cree	3 Years
DL-MDD-CA200	30 W	D200*H95	D182*H95	W/WW/Y/R/G/B	Epistar/ Bridgelux/Cree	3 Years

IP Grade	Volt.	Material	G. W (KG)	Packing
IP 65	AC85-265V	Stainless+Diecasting	1.23	12PCS/39*32*39CM
IP 65	AC85-265V	Stainless+Diecasting	1.65	10PCS/52*41.5*41.5CM



# COB UNDERGROUND LAMPS



certificate  
**CE EMC CB**  
SERIES

**50W**  
power

**DL-MDD- CA255**



Epistar COB



Stainless Cover+screws



Diecasting housing

## 2020 New developed products

### Areas of application

- Architectural lighting
- Wall-washer
- Landscape Lighting

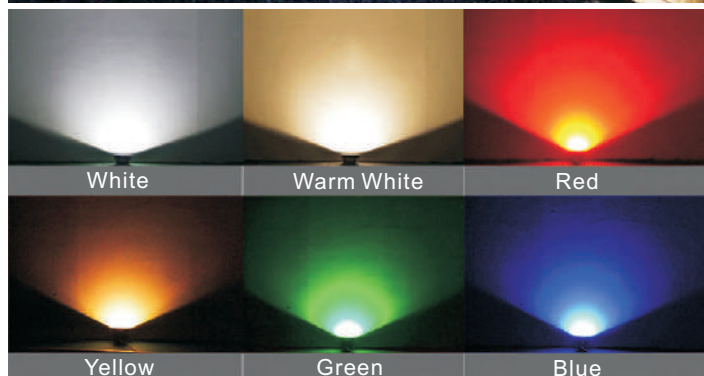


### Product benefits

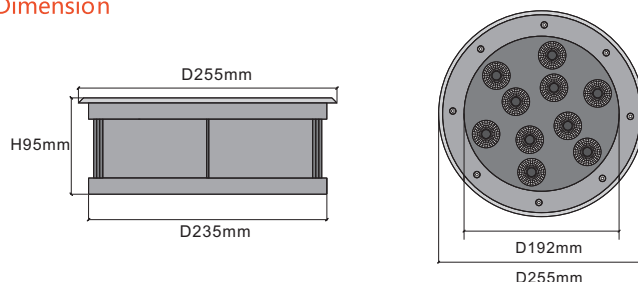
- Multi-colors chips colors for single colors.
- High bright Bridgelux COB chips, low power consumption, no ultraviolet.
- Easy to install, excellent Ip65 grade for better outdoor using.
- Anodized Diecasting, more efficient and faster to heat dissipate.
- Stainless cover and Toughened glass for stronger to body.

### Product features

- Widely used for decorative outdoor lighting.
- Unique reflective cup design with good performance effect.
- High-end certificate drive, ensure good working stability.
- 8-12M effective distance.
- Energy saving 80% to replace metal halide light.



### Dimension



### Technical data

Item No.	Watts	Size(mm)	Cut hole	Temperature	LED Chips	Warranty
DL-MDD-CA255	50 W	D255*H95	D235*H95	W/WWW/Y/R/G/B	Epistar/Bridgelux/Cree	3 Years

IP Grade	Volt.	Material	G. W (KG)	Packing
IP 65	AC85-265V	Stainless+Diecasting	4.05	5PCS/57*28*28CM



# COB UNDERGROUND LAMPS

**DL-MDD-C**  
**Y65/80**  
SERIES

## 2020 New developed products

### Areas of application

- Architectual lighting
- Wall-washer
- Landscape Lighting



**3W**  
power

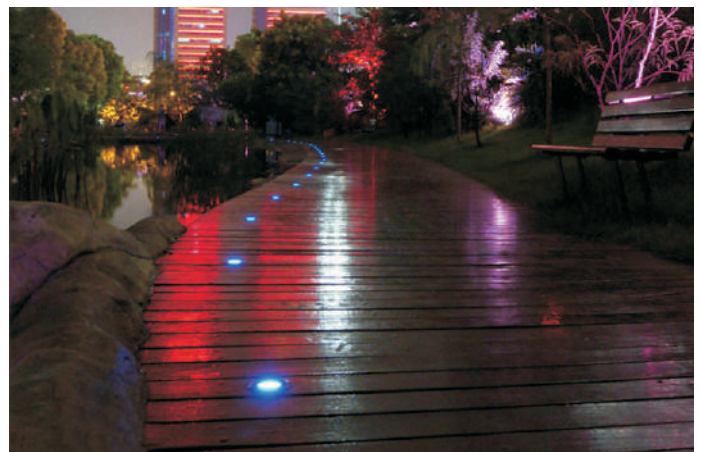
**5W**  
power



Epistar COB

Stainless Cover+screws

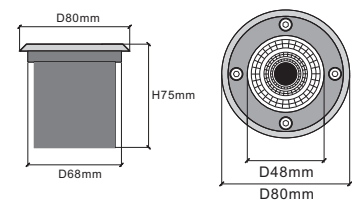
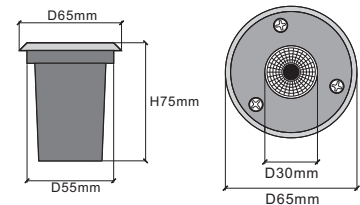
Diecasting housing



### Product benefits

- OEM for 26 countries.
- High bright Epistar chips, provide new amazing appearance
- Easy to install and use.
- Low power consumption, no ultraviolet .

### Dimension



### Product features

- Widely used for decorative outdoor lighting.
- Unique reflective cup with good performance light.
- 1-2M effective distance.
- Energy saving 80% to replace metal halide light.

### Technical data

Item No.	Watts	Size(mm)	Cut hole	Temperature	LED Chips	Warranty
DL-MDD-C65	3 W	D65*H75	D55*H75	W/WW/Y/R/G/B	Epistar/Bridgelux/Cree	2 Years
DL-MDD-C80	5 W	D80*H75	D68*H75	W/WW/Y/R/G/B	Epistar/Bridgelux/Cree	2 Years

IP Grade	Volt.	Material	G. W (KG)	Packing
IP 65	12 V/24V/85-265V	Stainless+Diecasting	0.2	60PCS/37*30*28CM
IP 65	12 V/24V/85-265V	Stainless+Diecasting	0.3	60PCS/42*34*32.5CM



# COB UNDERGROUND LAMPS

**DL-MDD-C**  
**Y100/120**  
SERIES



**7W**  
power

**10W**  
power



Epistar COB

Stainless Cover+screws

Diecasting housing

## Product benefits

- OEM for 26 countries.
- High bright Epistar chips, provide new amazing appearance
- Easy to install and use.
- Low power consumption, no ultraviolet .

## Product features

- Widely used for decorative outdoor lighting.
- Unique reflective cup with good performance light.
- 3-5M effective distance.
- Energy saving 80% to replace metal halide light.

## Technical data

Item No.	Watts	Size(mm)	Cut hole	Temperature	LED Chips	Warranty
DL-MDD-C100	7 W	D100*H90	D95*H90	W/WW/Y/R/G/B	Epistar/ Bridgelux/Cree	2 Years
DL-MDD-C120	10 W	D120*H90	D115*H90	W/WW/Y/R/G/B	Epistar/ Bridgelux/Cree	2 Years

IP Grade	Volt.	Material	G. W (KG)	Packing
IP 65	12 V/24V/85-265V	Stainless+Diecasting	0.4	30PCS/52.5*27.5*41CM
IP 65	12 V/24V/85-265V	Stainless+Diecasting	0.62	30PCS/52.5*27.5*41CM

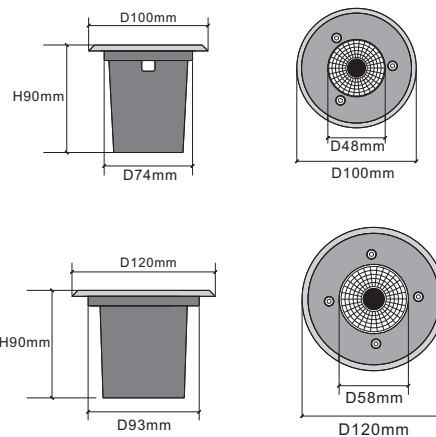
## 2020 New developed products

### Areas of application

- Architectural lighting
- Wall-washer
- Landscape Lighting



## Dimension



# COB UNDERGROUND LAMPS

**DL-MDD-C**  
Y150/180  
SERIES

## 2020 New developed products

### Areas of application

- Architectual lighting
- Wall-washer
- Landscape Lighting



**15W**  
power

**20W**  
power



Epistar COB

Stainless Cover+screws

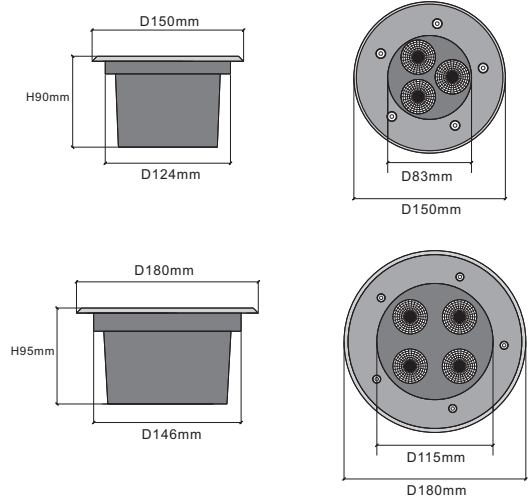
Diecasting housing



### Product benefits

- OEM for 26 countries.
- High bright Epistar chips, provide new amazing appearance
- Easy to install and use.
- Low power consumption, no ultraviolet .

### Dimension



### Product features

- Widely used for decorative outdoor lighting.
- Unique reflective cup with good performance light.
- 5-10M effective distance.
- Energy saving 80% to replace metal halide light.

### Technical data

Item No.	Watts	Size(mm)	Cut hole	Temperature	LED Chips	Warranty
DL-MDD-C150	15 W	D150*H95	D124*H95	W/WW/Y/R/G/B	Epistar/Bridgelux/Cree	2 Years
DL-MDD-C180	20 W	D180*H95	D146*H95	W/WW/Y/R/G/B	Epistar/Bridgelux/Cree	2 Years

IP Grade	Volt.	Material	G. W (KG)	Packing
IP 65	12 V/24V/85-265V	Stainless+Diecasting	0.8	20PCS/52*32*32CM
IP 65	12 V/24V/85-265V	Stainless+Diecasting	1.1	12PCS/39*32*39CM



# COB UNDERGROUND LAMPS



**DL-MDD-C**  
Y200/250  
SERIES

## 2020 New developed products

### Areas of application

- Architectual lighting
- Wall-washer
- Landscape Lighting



**30W**  
power

**50W**  
power



Epistar COB



Stainless Cover+screws



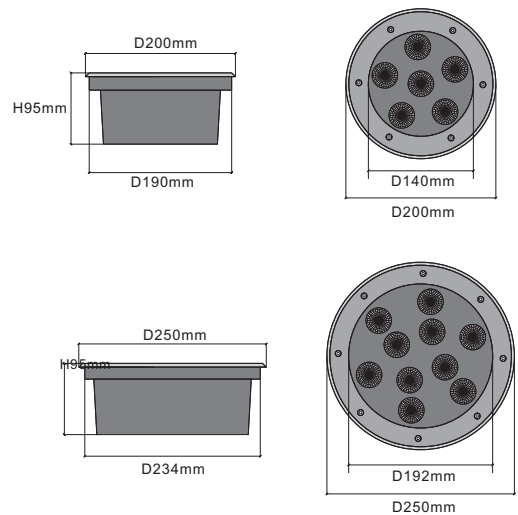
Diecasting housing



### Product benefits

- OEM for 26 countries.
- High bright Epistar chips, provide new amazing appearance
- Easy to install and use.
- Low power consumption, no ultraviolet.

### Dimension



### Product features

- Widely used for decorative outdoor lighting.
- Unique reflective cup with good performance light.
- 10-15M effective distance.
- Energy saving 80% to replace metal halide light.

### Technical data

Item No.	Watts	Size(mm)	Cut hole	Temperature	LED Chips	Warranty
DL-MDD-C200	30 W	D180*H95	D156*H95	W/WW/Y/R/G/B	Epistar/ Bridgelux/Cree	2 Years
DL-MDD-C250	50 W	D200*H95	D184*H95	W/WW/Y/R/G/B	Epistar/ Bridgelux/Cree	2 Years

IP Grade	Volt.	Material	G. W (KG)	Packing
IP 65	12 V/24V/85-265V	Stainless+Diecasting	1.23	12PCS/39*32*39CM
IP 65	12 V/24V/85-265V	Stainless+Diecasting	1.65	10PCS/52*41.5*41.5CM





# LANDSCAPE SERIES



## LED SWIMMING POOL LIGHT

### Product benefits

- LED inwater and wall luminaire with smart lighting function
- Unique design creates a perfectly amazing visual appearance
- Eco-PMMA cover with stainless body, Ip68 grade
- Multi-colors mode: 1. Single color 2. RGB color with remote



DL-SDA



DL-SDB



DL-SDC



DL-SDD



### Technical data



Item No.	Power	Size (mm)	Color temperature	IP Grade	Beam angle(°)	Max	Chips	Volt.	Warranty
DL-SDA-GB230	9/12/15W	Dia:230xH48	Single/RGB + RF remote	IP 68	30/45/60	10m	Epistar/Bridgelux/Cree/Philips	AC12V	2 years
DL-SDA-GB300	18/24W	Dia:300xH70	Single/RGB + RF remote	IP 68	30/45/60	10m	Epistar/Bridgelux/Cree/Philips	AC12V	2 years
DL-SDB-GB245	9/12/15W	Dia:245xH48	Single/RGB + RF remote	IP 68	30/45/60	10m	Epistar/Bridgelux/Cree/Philips	AC12V	2 years
DL-SDB-GB295	18/24W	Dia:295xH70	Single/RGB + RF remote	IP 68	30/45/60	10m	Epistar/Bridgelux/Cree/Philips	AC12V	2 years
DL-SDC-GB260	12/15/18W	Dia:260xH50	Single/RGB + RF remote	IP 68	30/45/60	10m	Epistar/Bridgelux/Cree/Philips	AC12V	2 years
DL-SDD-PAR56	9/12/15/18/24	Dia:178xH96	Single/RGB + RF remote	IP 68	30/45/60	10m	Epistar/Bridgelux/Cree/Philips	AC12V	2 years

# LED SMART INWATER LIGHT-IP68

## Product benefits

- Multi-colors with SMD5050 RGB chips
- Newest design with compact design.
- Working in 12V AC, IP68 grade.
- Multi-colors: 1: single color 2. RGB color with remote.



DL-PAR300



DL-PAR245



DL-PAR205

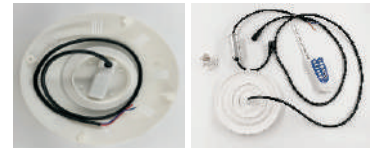


DL-PAR165



RGB RF remote

Innovation inside your life Multi-color



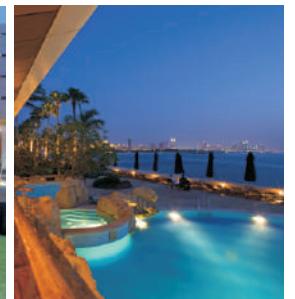
## Technical data

Item No.	Power	Size (mm)	Color temperature	IP Grade	Beam angle(°)	Max	Chips	Volt.	Warranty
DL-PAR245	15W	Dia:245xH50	Single/RGB	IP 68	45	10m	Epistar/Bridgelux	AC12V	2 years
DL-PAR300	20W	Dia:300xH50	Single/RGB	IP 68	45	10m	Epistar/Bridgelux	AC12V	2 years
DL-PAR165	15W	Dia:165xH25	Single/RGB	IP 68	45	10m	Epistar/Bridgelux	AC12V	2 years
DL-PAR205	20W	Dia:205xH25	Single/RGB	IP 68	45	10m	Epistar/Bridgelux	AC12V	2 years

# LED SMART INWATER LIGHT-IP68

## Product benefits

- Multi-colors with SMD5050 RGB chips
- Newest design with compact design.
- Working in 12V DC.
- Excellent Ip68 waterproof grade.



Innovation inside your life Multi-color



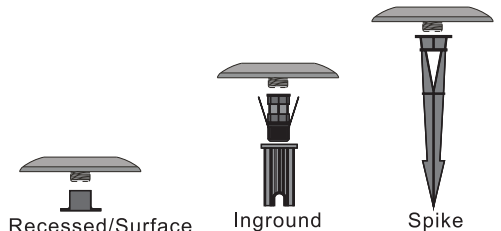
DL-PAR125



DL-PAR258



DL-PAR126



Recessed/Surface

Inground

Spike

## Technical data

Item No.	Power	Size (mm)	Color temperature	IP Grade	Beam angle(°)	Max	Chips	Volt.	Warranty
DL-PAR125	3.5 /7W	Dia:125xH25	Single/RGB	IP 68	45	10m	Epistar/Bridgelux	DC12V	2 years
DL-PAR258	9 /18W	Dia:258x130xH25	Single/RGB	IP 68	45	10m	Epistar/Bridgelux	DC12V	2 years
DL-PAR126	3.5/7W	Dia:126xH25	Single/RGB	IP 68	45	10m	Epistar/Bridgelux	DC12V	2 years

# LED IP68 SMART IN-GROUND LIGHT

## Product benefits

- High quality 304 stainless housing, Ip68 waterproof.
- Available for Inwater and landscape
- Epistar or Bridgelux chips are available
- Contains no mercury



## Technical data

Item No.	Power	Size (mm)	Color temperature	IP Grade	Beam angle(°)	Material	Chips	Volt.	Warranty
DL-PB15	0.3W	Dia:15xH25	Dia:D12.5 Single	IP 68	30	304 stainless	Epistar/Bridgelux	DC12V	2 years
DL-PB22	0.3W	Dia:22xH55	Dia:D16 Single	IP 68	30	304 stainless	Epistar/Bridgelux	DC12V	2 years
DL-PB25	0.3W	Dia:25xH35	Dia:D14 Single	IP 68	30	304 stainless	Epistar/Bridgelux	DC12V	2 years
DL-PB32	0.5W	Dia:32xH50	Dia:D24 Single	IP 68	30	304 stainless	Epistar/Bridgelux	DC12V	2 years

# LED IP68 IN-GROUND LIGHT

## Product benefits

- High quality 304 stainless cover, ensure high pressure and IP68
- Available for Inwater
- Epistar, Bridgelux, Cree and Philips chips are available
- Contains no mercury



## Technical data

Item No.	Power	Size (mm)	Color temperature	IP Grade	Beam angle(°)	Material	Chips	Volt.	Warranty
DL-PB-RC42	3W	Dia:D42xH70	Dia:D36 Single	IP 68	30/45/60	304 stainless	Epistar/Bridgelux/Cree/Philips	AC12V	2 years
DL-PB-RC52	3W	Dia:D52xH80	Dia:D46 Single	IP 68	30/45/60	304 stainless	Epistar/Bridgelux/Cree/Philips	AC12V	2 years
DL-PB-RC62	3W	Dia:D62xH90	Dia:D56 Single	IP 68	30/45/60	304 stainless	Epistar/Bridgelux/Cree/Philips	AC12V	2 years
DL-PB-RC75	5W	Dia:D75xH95	Dia:D66 Single	IP 68	30/45/60	304 stainless	Epistar/Bridgelux/Cree/Philips	AC12V	2 years
DL-PB-SC42	3W	Dia:45x45xH70	Dia:D36 Single	IP 68	30/45/60	304 stainless	Epistar/Bridgelux/Cree/Philips	AC12V	2 years
DL-PB-SC55	3W	Dia:55x55xH70	Dia:D46 Single	IP 68	30/45/60	304 stainless	Epistar/Bridgelux/Cree/Philips	AC12V	2 years
DL-PB-SC62	3W	Dia:62x62xH70	Dia:D56 Single	IP 68	30/45/60	304 stainless	Epistar/Bridgelux/Cree/Philips	AC12V	2 years

# LED GARDEN LIGHT IP65

## Product benefits

- High quality diecast body, ensure high pressure and IP65
- Single color or RGB for choice
- Epistar or Bridgelux chips are available
- Contains no mercury



DL-CD42



DL-CD60



DL-CD75



DL-CD85



DL-CD98

## Technical data



Item No.	Power	Size (mm)	Color temperature	IP Grade	Beam angle(°)	Material	Chips	Volt.	Warranty
DL-CD42A	3/5 W	Dia:D42xH240	Single	Ip65	60	Diecasting AL	Epistar/Bridgelux	AC85-265V	2 years
DL-CD60A/B	5 W	Dia:D62xH240	Single	Ip65	60	Diecasting AL	Epistar/Bridgelux	AC85-265V	2 years
DL-CD75A/B	7/9W	Dia:D75xH245	Single	Ip65	60	Diecasting AL	Epistar/Bridgelux	AC85-265V	2 years
DL-CD85A/B	7/10W/GU10	Dia:D85xH340	Single	Ip65	60	Diecasting AL	Epistar/Bridgelux	AC85-265V	2 years
DL-CD98A/B	GU10/MR16	Dia:D98xH270	Single	Ip65	60	Diecasting AL	Epistar/Bridgelux	AC85-265V	2 years

# LED GARDEN LIGHT IP65

## Product benefits

- High quality diecast body, ensure high pressure and IP65
- Single color or RGB for choice
- Epistar or Bridgelux chips are available
- Contains no mercury



DL-CD62



DL-CD96



DL-CD80



DL-CD100



DL-CD145



DL-CD-P

## Technical data

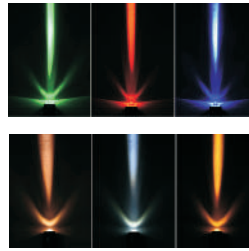


Item No.	Power	Size (mm)	Color temperature	IP Grade	Beam angle(°)	Material	Chips	Volt.	Warranty
DL-CD62A/B	7W	Dia:D62xH240	Single	Ip65	60	Diecasting AL	Epistar/Bridgelux	AC85-265V	2 years
DL-CD96A/B	12W	Dia:D62xH285	Single	Ip65	60	Diecasting AL	Epistar/Bridgelux	AC85-265V	2 years
DL-CD80A/B	15W	Dia:D62xH275	Single	Ip65	60	Diecasting AL	Epistar/Bridgelux	AC85-265V	2 years
DL-CD100A/B	15W	Dia:D62xH350	Single	Ip65	60	Diecasting AL	Epistar/Bridgelux	AC85-265V	2 years
DL-CD145A/B	20W	Dia:D62xH400	Single	Ip65	60	Diecasting AL	Epistar/Bridgelux	AC85-265V	2 years
DL-CD-P	7/9/12/18W	Dia:D125/155/185	Single	Ip65	30/45/60	Diecasting AL	Epistar/Bridgelux	AC85-265V	2 years

# LED NARROW BEAM LIGHT

## Product benefits

- High quality diecast body, ensure high pressure and IP65
- 10° beam angle for choice
- CREE or Bridgelux chips are available
- Contains no mercury



DL-SPOT-A



DL-SPOT-B



DL-SPOT-B



DL-SPOT-A

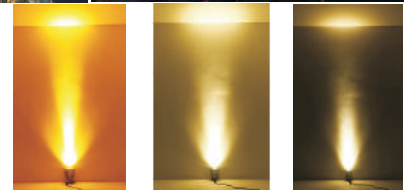
## Technical data

Item No.	Power	Size (mm)	Color temperature	IP Grade	Beam angle(°)	Material	Chips	VoIt.	Warranty
DL-SPOT-A	10W	Dia:100xH180	Single	Ip65	10	AL	CREE	AC85-265V	2 years
DL-SPOT-B	10W	Dia:80xH160	Single	Ip65	10	Diecasting AL	CREE	AC85-265V	2 years

# LED NARROW BEAM SPOT LIGHT

## Product benefits

- High quality diecast body, ensure high pressure and IP65
- 24° beam angle for choice
- Bridgelux or Cree chips are available
- Contains no mercury



DL-SPOT-D4



DL-SPOT-D6



DL-SPOT-D7



DL-SPOT-C1/12W



DL-SPOT-C1/20W



DL-SPOT-C1/30W

## Technical data

Item No.	Power	Size (mm)	Color temperature	IP Grade	Beam angle(°)	CRI	Material	Chips	VoIt.	Warranty
DL-SPOT-C1	12W	Dia:95	Single	IP 65	24	80	Diecasting AL	Epistar/Bridgelux	AC85-265V	2 years
DL-SPOT-C1	20 W	Dia:115	Single	IP 65	24	80	Diecasting AL	Epistar/Bridgelux	AC85-265V	2 years
DL-SPOT-C1	30 W	Dia:150	Single	IP 65	24	80	Diecasting AL	Epistar/Bridgelux	AC85-265V	2 years
DL-SPOT-D4	24W	Dia: 90*150*H155	Single	IP 65	10	80	Diecasting AL	CREE	AC85-265V	2 years
DL-SPOT-D6	54W	Dia: D200*H260	Single	IP 65	10	80	Diecasting AL	CREE	AC85-265V	2 years
DL-SPOT-D7	81W	Dia: D250*H325	Single	IP 65	10	80	Diecasting AL	CREE	AC85-265V	2 years

# LED SPOT LIGHT-IP65

## Product benefits

- High quality diecast body, ensure high pressure and IP65
- Single color or RGB for choice
- Epistar, Bridgelux, Cree and Philips chips are available
- Contains no mercury



DL-TSD-L(Series)

DL-TSD-L COB(Series)

## Technical data

Item No.	Power	Color temperature	IP Grade	Beam angle(°)	Material	Chips	Volt.	Warranty
DL-TSD-L(Series)	3/6/9/12/18/24/36/48W	Single	IP 65	30/45/60	Diecasting AL	Epistar/Bridgelux/Cree/Philips	AC85-265V	2 years
DL-TSD-L COB(Series)	15/20/30/50W	Single	IP 65	60	Diecasting AL	Epistar/Bridgelux	AC85-265V	2 years

# LED SPOT LIGHT-IP65

## Product benefits

- High quality diecast body, ensure high pressure and IP65
- Single color or RGB for choice
- Epistar, Bridgelux, Cree and Philips chips are available
- Contains no mercury



## Technical data

Item No.	Power	Color temperature	IP Grade	Beam angle(°)	Material	Chips	Volt.	Warranty
DL-TSD-125	5W/6W/7W	Single	IP 65	30/45/60	Diecasting AL	Epistar/Bridgelux/Cree/Philips	AC85-265V	2 years
DL-TSD-155	9W/12W	Single/RGB	IP 65	30/45/60	Diecasting AL	Epistar/Bridgelux/Cree/Philips	AC85-265V	2 years
DL-TSD-185	18W	Single/RGB	IP 65	30/45/60	Diecasting AL	Epistar/Bridgelux/Cree/Philips	AC85-265V	2 years
DL-TSD-205	24W	Single/RGB	IP 65	30/45/60	Diecasting AL	Epistar/Bridgelux/Cree/Philips	AC85-265V	2 years
DL-TSD-235	36W	Single/RGB	IP 65	30/45/60	Diecasting AL	Epistar/Bridgelux/Cree/Philips	AC85-265V	2 years
DL-TSD-285	48W	Single/RGB	IP 65	30/45/60	Diecasting AL	Epistar/Bridgelux/Cree/Philips	AC85-265V	2 years

# LED IN-GROUND LIGHT-IP65

## Product benefits

- High quality stainless cover, ensure high pressure and IP65
- Single color or RGB for choice
- Epistar, Bridgelux, Cree and Philips chips are available
- Contains no mercury



DL-MDD-KTA(series)



DL-MDD-S/R-GU10



DL-MDD-CA(series)

## Technical data

Item No.	Power	Color temperature	IP Grade	Beam angle(°)	Material	Chips	Volt.	Warranty
DL-MDD-KTA(series)	1/3/6/9/12/18/24/36/48W	Single	IP 65	30/45/60	SS+Diecasting AL	Epistar/Bridgelux/Cree/Philips	AC85-265V	2 years
DL-MDD-CA(series)	5/7/10/20/30/50W	Single	IP 65	60	SS+Diecasting AL	Epistar/Bridgelux	AC85-265V	2 years
DL-MDD-S/R	GU10/MR16	/	IP 65	/	SS+Diecasting AL	/	/	2 years

# LED STEP LIGHT-IP65

## Product benefits

- High quality diecast body.
- Multi-colors chips colors for single choice
- Epistar, Bridgelux and Philips chips are available
- Contains no mercury



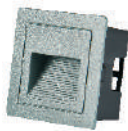
DL-SP-110



DL-SP-170



DL-SP-58



DL-SP-85



DL-SP-145



DL-SP-165



A



B

DL-SP-100



A



B

DL-SP-200

## Technical data

Item No.	Power	Color temperature	IP Grade	Material	Finished color	Chips	Volt.	Warranty
DL-SP-58	1W	Single	IP 65	Diecasting AL	grey/white/black	Epistar/Bridgelux/Philips	AC85-265V	2 years
DL-SP-85-S/R	2W	Single	IP 65	Diecasting AL	grey/white/black	Epistar/Bridgelux/Philips	AC85-265V	2 years
DL-SP-145	3W	Single	IP 65	Diecasting AL	grey/white/black	Epistar/Bridgelux/Philips	AC85-265V	2 years
DL-SP-165	4W	Single	IP 65	Diecasting AL	grey/white/black	Epistar/Bridgelux/Philips	AC85-265V	2 years
DL-SP-100-A/B	2W	Single	IP 65	Diecasting AL	grey/white/black	Epistar/Bridgelux/Philips	AC85-265V	2 years
DL-SP-200-A/B	4W	Single	IP 65	Diecasting AL	grey/white/black	Epistar/Bridgelux/Philips	AC85-265V	2 years
DL-SP-110	3W	Single	IP 65	SS+Diecasting AL	/	Epistar/Bridgelux/Philips	AC85-265V	2 years
DL-SP-170	4W	Single	IP 65	SS+Diecasting AL	/	Epistar/Bridgelux/Philips	AC85-265V	2 years

Unique extraordinary, create extraordinary

**LED** 2020 NEW

I LED garden spike Lamps



Multi-color





# COB GARDEN SPIKE LAMPS

**DL-CD43**

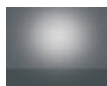
2020 New developed products

### Areas of application

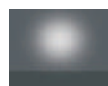
- Architectual lighting
- Landscape lighting
- Garden/ Tree/ wall washer



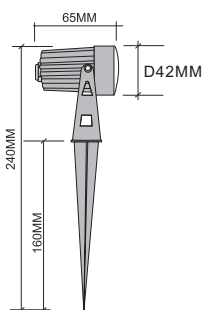
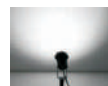
Transparent convex lens



Reticulated convex lens



Transparent plane lens



### Product benefits

- Multi-colors create amazing lighting effects.
- Stable working performance with long time using.
- Easy to install and use.
- Low power consumption, Eco-friendly.

### Product features

- Multi Optical lens choice for landscape lighting
- High-end driver, ensure good working stability
- 3-5M effective lighting distance.
- Most popular products in global markets.

### Technical data

Item No.	Nominal Watts	Size (mm)	Color Temperature(k)	Effective Distance(m)	Beam Angle(°)	Input Vol.(v)	Warranty
DL-CD43A-3W	3W	Dia:43XH240	W/WW/Y/R/G/B	3-4M	45-60	85-265V / 12V ac	2 years
DL-CD43A-5W	5W	Dia:43XH240	W/WW/Y/R/G/B	5-8M	45-60	85-265V / 12V ac	2 years

Body Material	LED Chips	Luminous Flux	Operating Temperature	Driver	G.W(kg)	Packing
Die-casting /matt paint	TW COB	80lm/w @6000K(plane lens) 65-70lm/w @6000K(convex lens)	-25-45°C	Isolated with IC protect	0.2	50pcs/ 37*37*34cm



# COB GARDEN SPIKE LAMPS

DL-CD60

2020 New developed products



DL-CD60A/COB

DL-CD60B/COB

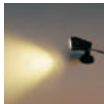
DL-CD60A/HP



45-70 degree beam



30-45 degree beam



High power Chips+wide lens

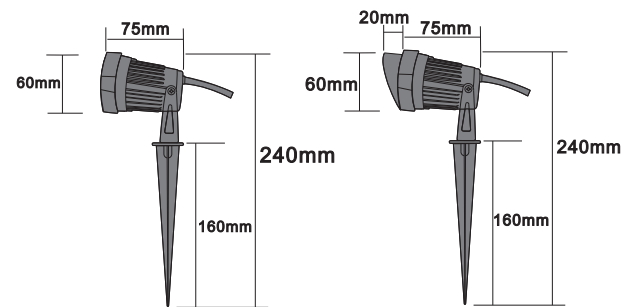


## Areas of application

- Architectural lighting
- Landscape lighting
- Garden/ Tree/ wall washer



## Dimension



## Product benefits

- Multi-colors create amazing lighting effects.
- Stable working performance with long time using.
- Easy to install and use.
- Low power consumption, Eco-friendly.

## Product features

- Multi Optical lens choice for landscape lighting
- High-end driver, ensure good working stability
- 3-5M effective lighting distance.
- Most popular products in global markets.

## Technical data



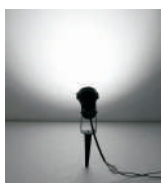
Item No.	Nominal Watts	Size (mm)	Color Temperature(k)	Effective Distance(m)	Beam Angle(°)	Input Vol.(v)	Warranty
DL-CD60A/B-3W (HP)	3W	Dia:60XH245	W/WW/Y/R/G/B	3-4M	45-60	85-265V / 12V ac	2 years
DL-CD60A/B-5W(COB)	5W	Dia:60XH245	W/WW/Y/R/G/B	5-8M	45-60	85-265V / 12V ac	2 years
DL-CD60A/B-6W(RGB)	6W	Dia:60XH245	RGB-Multi	5-8M	45-60	85-265V / 12V ac	2 years
Body Material	LED Chips	Luminous Flux	Operating Temperature	Driver	G.W(kg)	Packing	
Die-casting /matt paint	TW COB	80lm/w @6000K(plane lens) 65-70lm/w @6000K(convex lens)	-25-45°C	Isolated with IC protect	0.23	50pcs/ 37*37*34cm	



# COB GARDEN SPIKE LAMPS



DL-CD75A/COB



45-70 degree beam



DL-CD75B/COB



30-45 degree beam

**DL-CD75**

2020 New developed products

### Areas of application

- Architectural lighting
- Landscape lighting
- Garden/ Tree/ wall washer



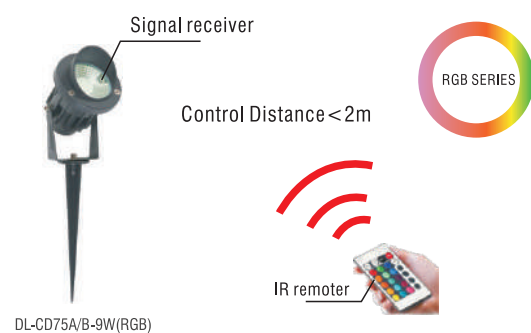
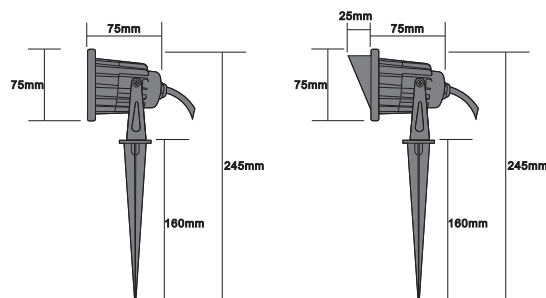
### Product benefits

- Multi-colors create amazing lighting effects.
- Stable working performance with long time using.
- Easy to install and use.
- Low power consumption, Eco-friendly.

### Product features

- Multi Optical lens choice for landscape lighting
- High-end driver, ensure good working stability
- 3-5M effective lighting distance.
- Most popular products in global markets.

### Dimension



### Technical data

Item No.	Nominal Watts	Size (mm)	Color Temperature(k)	Effective Distance(m)	Beam Angle(°)	Input Vol.(v)	Warranty
DL-CD60A/B-3W (HP)	3W	Dia:60XH245	W/WW/Y/R/G/B	3-4M	45-60	85-265V / 12V ac	2 years
DL-CD60A/B-5W(COB)	5W	Dia:60XH245	W/WW/Y/R/G/B	5-8M	45-60	85-265V / 12V ac	2 years
DL-CD60A/B-6W(RGB)	6W	Dia:60XH245	RGB-Multi	5-8M	45-60	85-265V / 12V ac	2 years
	Body Material	LED Chips	Luminous Flux	Operating Temperature	Driver	G.W(kg)	Packing
	Die-casting /matt paint	TW COB	80lm/w @6000K(plane lens) 65-70lm/w @6000K(convex lens)	-25-45°C	Isolated with IC protect	0.23	50pcs/ 42*42*34cm



# COB GARDEN SPIKE LAMPS

DL-CD85

2020 New developed products

### Areas of application

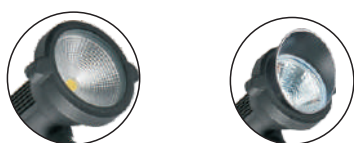
- Architectual lighting
- Landscape lighting
- Garden/ Tree/ wall washer



DL-CD85A/COB

DL-CD85B/COB

DL-CD85A/B-GU10



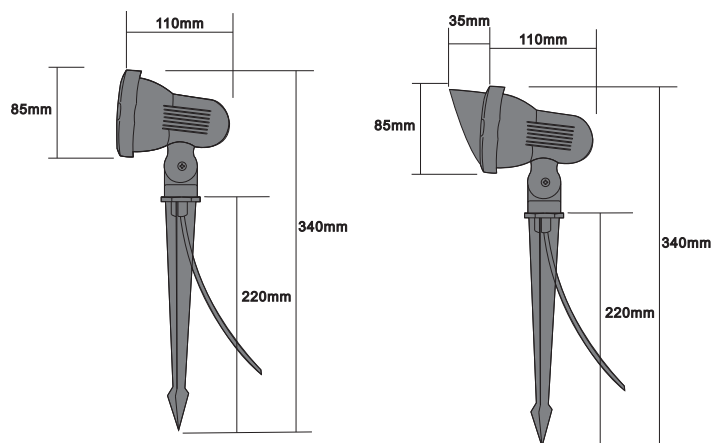
### Product benefits

- Multi-colors create amazing lighting effects.
- Stable working performance with long time using.
- Easy to install and use.
- Low power consumption, Eco-friendly.

### Product features

- Multi Optical lens choice for landscape lighting
- High-end driver, ensure good working stability
- 5-8 M effective lighting distance.
- Most popular products in global markets.

### Dimension



### Technical data

Item No.	Nominal Watts	Size (mm)	Color Temperature(k)	Effective Distance(m)	Beam Angle(°)	Input Vol.(v)	Warranty
DL-CD85A/B-7W(COB)	7W	Dia:85XH340	W/WW/Y/R/G/B	8-12M	45-60	85-265V / 12V ac	2 years
DL-CD85A/B-10W(COB)	10W	Dia:85XH340	W/WW/Y/R/G/B	12-15M	45-60	85-265V / 12V ac	2 years
DL-CD85A/B-12W(RGB)	12W	Dia:85XH340	RGB-Multi	8-12M	45-60	85-265V / 12V ac	2 years
DL-CD85A/B	GU10	Dia:85XH340	/	/	/	/	2 years

Body Material	LED Chips	Luminous Flux	Operating Temperature	Driver	G.W(kg)	Packing
Die-casting /matt paint	TW COB	80lm/w @6000K(plane lens) 65-70lm/w @6000K(convex lens)	-25-45°C	Isolated with IC protect	0.5	20PCS/52*22*44cm



# COB GARDEN SPIKE LAMPS

**DL-CD96**

2020 New developed products



DL-CD96A/COB



DL-CD96B/COB



### Areas of application

- Architectual lighting
- Landscape lighting
- Garden/ Tree/ wall washer



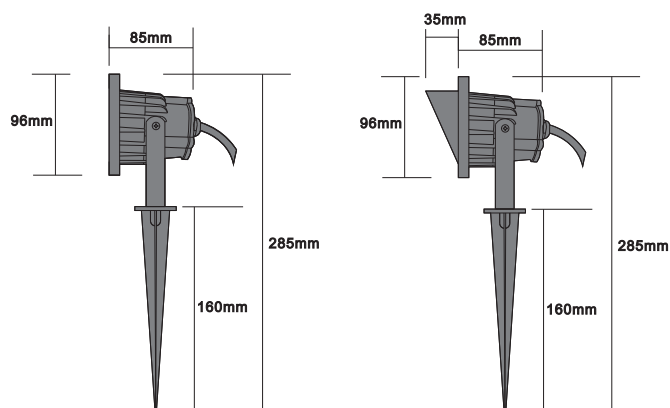
### Product benefits

- Multi-colors creat amazing lighting effects.
- Stable working performance with long time using.
- Easy to install and use.
- Low power consumption, Eco-friendly.

### Product features

- Multi Optical lens choice for landscape lighting
- High-end driver, ensure good working stability
- 5-8 M effective lighting distance.
- Most popular products in global markets.

### Dimension



### Technical data

Item No.	Nominal Watts	Size (mm)	Color Temperature(k)	Effective Distance(m)	Beam Angle(°)	Input Vol.(v)	Warranty
DL-CD96A/B-10W(COB)	10W	Dia:96*H285	W/WW/Y/R/G/B	8-12M	45-60	85-265V / 12V ac	2 years
DL-CD96A/B-12W(COB)	12W	Dia:96*H285	W/WW/Y/R/G/B	12-15M	45-60	85-265V / 12V ac	2 years

Body Material	LED Chips	Luminous Flux	Operating Temperature	Driver	G.W(kg)	Packing
Die-casting /matt paint	TW COB	80lm/w @6000K(plane lens) 65-70lm/w @6000K(convex lens)	-25-45°C	Isolated with IC protect	0.55	20pcs/ 52*22*34cm



# GU 10 GARDEN SPIKE LAMPS



DL-CD98A

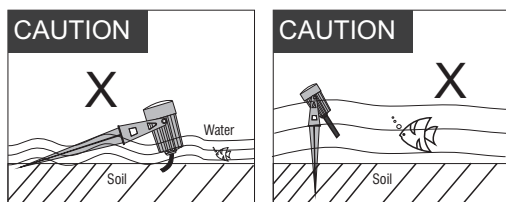
DL-CD98B

**DL-CD98**

2020 New developed products

### Areas of application

- Architectual lighting
- Landscape lighting
- Garden/ Tree/ wall washer



### Product benefits

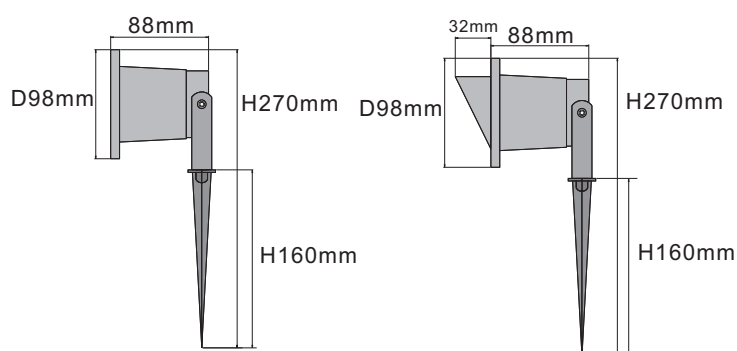
- Black, grey and special surface color for choice.
- Stable working performance with long time using.
- Easy to install and use.
- Energy saving, Eco-friendly.



### Product features

- Anodized Diecasting, more efficient and faster to heat dissipate.
- Easy and quick replacement of LED bulb.
- Excellent Ip65 grade for better outdoor using.
- Most popular products in global markets.

### Dimension



### Technical data

Item No.	Nominal Watts	Size (mm)	Color Temperature(k)	Effective Distance(m)	Beam Angle(°)	Input Vol.(v)	Warranty
DL-CD98A/B-GU 10	/	Dia:98*H270	/	/	/	/	2 years
DL-CD98A/B-GU 10	/	Dia:98*H270	/	/	/	/	2 years

Body Material	LED Chips	Luminous Flux	Operating Temperature	Driver	G.W(kg)	Packing
Die-casting /matt paint	/	/	-25-45°C	/	0.5	20pcs/ 52*22*34cm



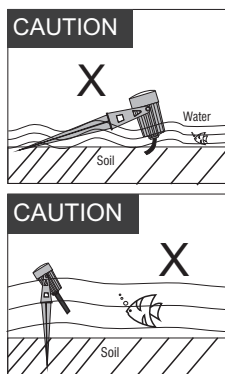
# COB GARDEN SPIKE LAMPS

**DL-CD100  
15W**



DL-CD100A

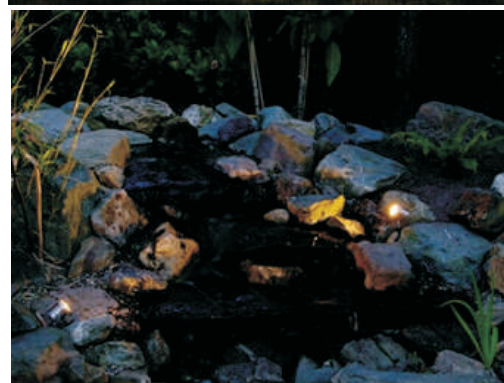
DL-CD100B



## 2020 New developed products

### Areas of application

- Architectural lighting
- Landscape lighting
- Garden/ Tree/ wall washer



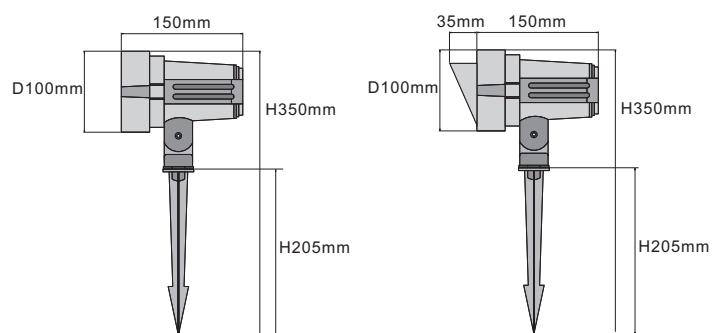
### Product benefits

- Multi-colors create amazing lighting effects.
- Stable working performance with long time using.
- Easy to install and use.
- Low power consumption, Eco-friendly.

### Product features

- Multi Optical lens choice for landscape lighting
- High-end driver, ensure good working stability
- 8-10M effective lighting distance.
- Most popular products in global markets.

### Dimension



### Technical data

Item No.	Nominal Watts	Size (mm)	Color Temperature(k)	Effective Distance(m)	Beam Angle(°)	Input Vol.(v)	Warranty
DL-CD100A/B-15W(COB)	15W	D98*H350	W/WW/Y/R/G/B	8-12M	60-90	85-265V	2 years

Body Material	LED Chips	Luminous Flux	Operating Temperature	Driver	G.W(kg)	Packing
Die-casting /matt paint	TW COB	80lm/w @6000K(plane lens) 65-70lm/w @6000K(convex lens)	-25-45°C	Isolated with IC protect	0.62	20PCS/62*26*46cm



# COB GARDEN SPIKE LAMPS

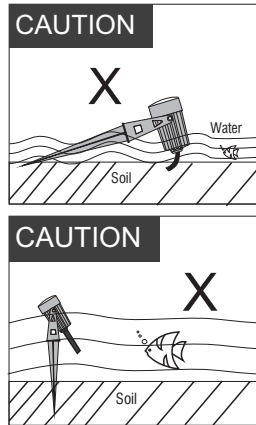
**DL-CD145  
20W**

2020 New developed products



DL-CD145A

DL-CD145B



### Areas of application

- Architectural lighting
- Landscape lighting
- Garden/ Tree/ wall washer



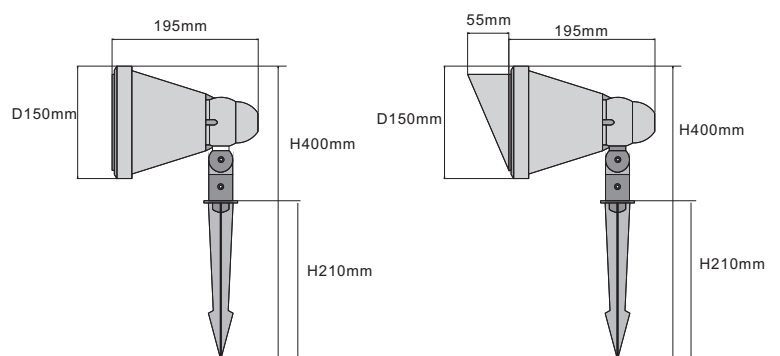
### Product benefits

- Multi-colors create amazing lighting effects.
- Stable working performance with long time using.
- Easy to install and use.
- Low power consumption, Eco-friendly.

### Product features

- Multi Optical lens choice for landscape lighting
- High-end driver, ensure good working stability
- 8-10M effective lighting distance.
- Most popular products in global markets.

### Dimension



### Technical data

Item No.	Nominal Watts	Size (mm)	Color Temperature(k)	Effective Distance(m)	Beam Angle(°)	Input Vol.(v)	Warranty
DL-CD145A/B-20W(COB)	20W	D145*H400	W/WW/Y/R/G/B	8-12M	60-90	85-265V	2 years

Body Material	LED Chips	Luminous Flux	Operating Temperature	Driver	G.W(kg)	Packing
Die-casting /matt paint	TW COB	80lm/w @6000K(plane lens) 65-70lm/w @6000K(convex lens)	-25-45°C	Isolated with IC protect	0.86	12PCS/47*32*44cm





Unique extraordinary, create extraordinary

**LED** 2020 NEW

**I Smart Inground Lamp  
Mini Inground Lamp  
IP 68**



# LED INGROUND LAMPS

## DL-PB-R

2020 New developed



DL-PB-R42

DL-PB-R52

DL-PB-R62



### Areas of application

- Semi-Outdoor projecting illumination
- Wall/steps
- Landscape /Building



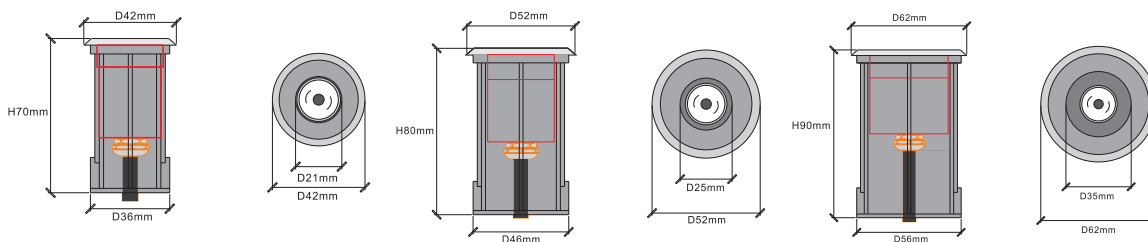
### Product benefits

- Multi-colors for widely using
- 304 stainless housing for ip68 Waterproof
- Epistar/Brigelux chips
- Excellent Ip68 grade for better outdoor using.

### Product features

- Excellent optical design creates the light even and soft.
- High-end driver, ensure good working stability
- Good looking apperance for better market
- Energy saving, Eco-friendly.

### Dimension



### Technical data

Item No.	Nominal Watts	Size(mm)	Cut hole	Temperature	LED Chips	Beam Angle	Warranty
DL-PB-R42	1 W	D42*H70	D37*H70	W/WW/R/G/B	Epistar/ Bridgelux/Cree	15/30/45/60°	2 Years
DL-PB-R52	1 W	D52*H80	D47*H80	W/WW/R/G/B	Epistar/ Bridgelux/Cree	15/30/45/60°	2 Years
DL-PB-R62	1 W	D62*H90	D57*H90	W/WW/R/G/B	Epistar/ Bridgelux/Cree	15/30/45/60°	2 Years
			IP Grade	Volt.	Material	G. W (KG)	Packing
			IP 68	12 V/24V	304 Stainless	0.18	50PCS/29*29*22CM
			IP 68	12 V/24V	304 Stainless	0.2	50PCS/29*29*22CM
			IP 68	12 V/24V	304 Stainless	0.3	50PCS/34*34*22CM



# LED INGROUND LAMPS

## DL-PB-S

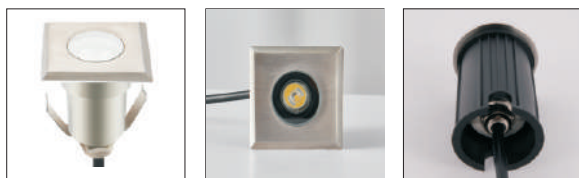
2020 New developed



DL-PB-S42

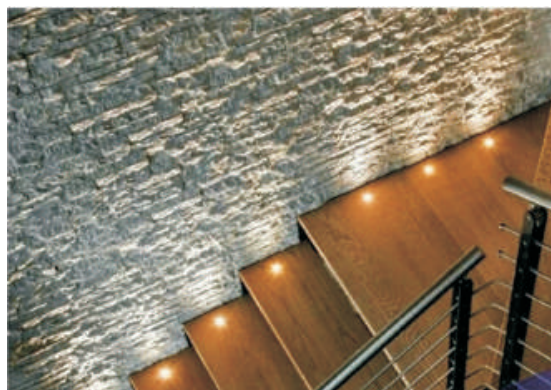
DL-PB-S52

DL-PB-S62



### Areas of application

- Semi-Outdoor projecting illumination
- Wall/steps
- Landscape /Building



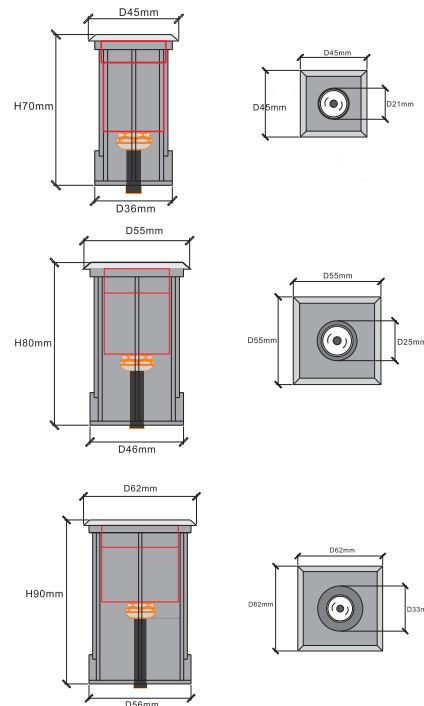
### Product benefits

- Multi-colors for widely using
- 304 stainless housing for ip68 Waterproof
- Epistar/Brigelux chips
- Excellent Ip68 grade for better outdoor using.

### Product features

- Excellent optical design creates the light even and soft.
- High-end driver, ensure good working stability
- Good looking appearance for better market
- Energy saving, Eco-friendly.

### Dimension



### Technical data

Item No.	Nominal Watts	Size(mm)	Cut hole	Temperature	LED Chips	Beam Angle	Warranty
DL-PB-S42	1 W	45*45*H70	D37*H70	W/WW/R/G/B	Epistar/ Bridgelux/Cree	15/30/45/60°	2 Years
DL-PB-S52	1 W	55*55*H80	D47*H80	W/WW/R/G/B	Epistar/ Bridgelux/Cree	15/30/45/60°	2 Years
DL-PB-S62	1 W	62*62*H90	D57*H90	W/WW/R/G/B	Epistar/ Bridgelux/Cree	15/30/45/60°	2 Years
		IP Grade	Volt.	Material	G. W (KG)	Packing	
		IP 68	12 V/24V	304 Stainless	0.18	50PCS/29*29*22CM	
		IP 68	12 V/24V	304 Stainless	0.3	50PCS/34*34*22CM	
		IP 68	12 V/24V	304 Stainless	0.36	50PCS/39*39*24CM	



# LED INGROUND LAMPS

## DL-PB-T

2020 New developed

### Areas of application

- Semi-Outdoor projecting illumination
- Wall/steps
- Landscape /Building



DL-PB-T42

DL-PB-T52

DL-PB-T62



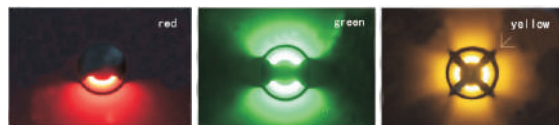
1 Hole

2 Hole

4 Hole

### Product benefits

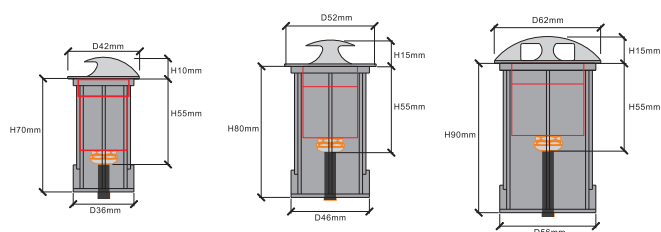
- Multi-colors for widely using
- 304 stainless housing for ip68 Waterproof
- Epistar/Brigelux chips
- Excellent Ip68 grade for better outdoor using.



### Product features

- One/two/four lightening holes for choice
- High-end driver, ensure good working stability
- Good looking apperance for better market
- Energy saving, Eco-friendly.

### Dimension



### Technical data

Item No.	Nominal Watts	Size(mm)	Cut hole	Temperature	LED Chips	Beam Angle	Warranty
DL-PB-T42	1 W	D42*H70	D37*H70	W/WW/R/G/B	Epistar/ Bridgelux/Cree	15/30/45/60°	2 Years
DL-PB-T52	1 W	D52*H80	D47*H80	W/WW/R/G/B	Epistar/ Bridgelux/Cree	15/30/45/60°	2 Years
DL-PB-T62	1 W	D62*H90	D57*H90	W/WW/R/G/B	Epistar/ Bridgelux/Cree	15/30/45/60°	2 Years
IP Grade				Volt.	Material	G. W (KG)	Packing
IP 68				12 V/24V	304 Stainless	0.18	50PCS/29*29*22CM
IP 68				12 V/24V	304 Stainless	0.2	50PCS/29*29*22CM
IP 68				12 V/24V	304 Stainless	0.3	50PCS/34*34*22CM



# LED INGROUND LAMPS

**DL-PB**



DL-PB-55

2020 New developed

### Areas of application

- Semi-Outdoor projecting illumination
- Wall/steps
- Landscape /Building



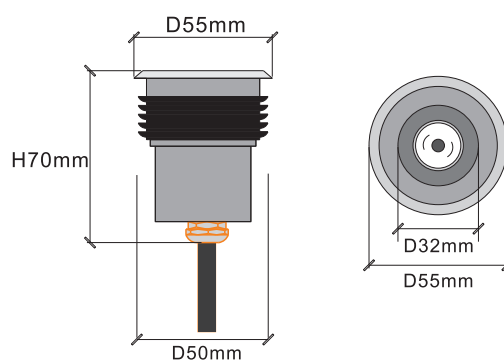
### Product benefits

- Multi-colors for widely using
- 304 stainless housing for ip68 Waterproof
- Epistar/Brigelux chips
- Excellent Ip68 grade for better outdoor using.

### Product features

- Excellent optical design creates the light even and soft.
- High-end driver, ensure good working stability
- Good looking apperance for better market
- Energy saving, Eco-friendly.

### Dimension



### Technical data

Item No.	Nominal Watts	Size(mm)	Cut hole	Temperature	LED Chips	Beam Angle	Warranty
DL-PB-55	1 W	D55*H70	D50*H70	W/ WW/ R/ G/ B	Epistar/ Bridgelux/Cree	15/30/45/60°	2 Years
			IP Grade	Volt.	Material	G. W (KG)	Packing
			IP 68	12 V/24V	304 Stainless	0.32	50PCS/33*33*25CM



# LED INGROUND LAMPS

## DL-PB

2020 New developed



DL-PB22



DL-PB32



### Areas of application

- Semi-Outdoor projecting illumination
- Wall/steps
- Landscape /Building



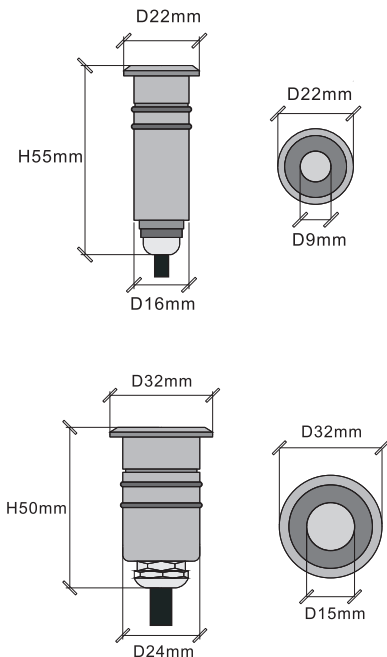
### Product benefits

- Multi-colors for widely using
- 304 stainless housing for ip68 Waterproof
- Epistar/Brigelux chips
- Excellent Ip68 grade for better outdoor using.

### Product features

- Excellent optical design creates the light even and soft.
- High-end driver, ensure good working stability
- Good looking appearance for better market
- Energy saving, Eco-friendly.

### Dimension



### Technical data

Item No.	Nominal Watts	Size(mm)	Cut hole	Temperature	LED Chips	Beam Angle	Warranty
DL-PB22	0.3W	D22*H55	D16*H55	W/WW/R/G/B	Epistar/ Bridgelux/Cree	120°	2 Years
DL-PB32	0.5W	D32*H50	D24*H50	W/WW/R/G/B	Epistar/ Bridgelux/Cree	120°	2 Years

IP Grade	Volt.	Material	G. W (KG)	Packing
IP 68	DC12V	304 Stainless	0.08	100PCS/27*27*28CM
IP 68	DC12V	304 Stainless	0.1	100PCS/27*27*28CM



# LED INGROUND LAMPS

DL-PB



DL-PB15



DL-PB25

2020 New developed

### Areas of application

- Semi-Outdoor projecting illumination
- Wall/steps
- Landscape /Building



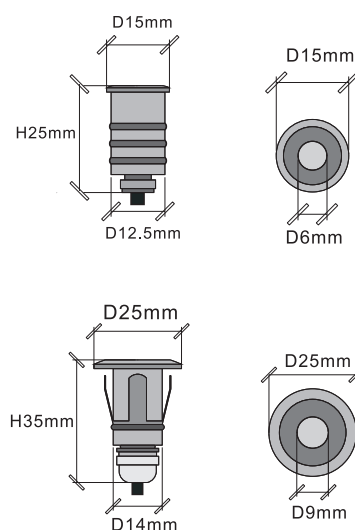
### Product benefits

- Multi-colors for widely using
- 304 stainless housing for ip68 Waterproof
- Epistar/Brigelux chips
- Excellent Ip68 grade for better outdoor using.

### Product features

- Excellent optical design creates the light even and soft.
- High-end driver, ensure good working stability
- Good looking apperance for better market
- Energy saving, Eco-friendly.

### Dimension



### Technical data

Item No.	Nominal Watts	Size(mm)	Cut hole	Temperature	LED Chips	Beam Angle	Warranty
DL-PB15	0.3W	D15*H25	D13*H25	W/WW/R/G/B	Epistar/ Bridgelux/Cree	120°	2 Years
DL-PB25	0.3W	D25*H35	D15*H35	W/WW/R/G/B	Epistar/ Bridgelux/Cree	120°	2 Years

IP Grade	Volt.	Material	G. W (KG)	Packing
IP 68	DC12V	304 Stainless	0.02	100PCS/27*27*28CM
IP 68	DC12V	304 Stainless	0.038	100PCS/27*27*28CM



Unique extraordinary, create extraordinary

**LED**

**2020 NEW** | Swimming Pool Lamps

Multi-color





# LED SWIMMING POOL LAMPS

DL-SDA-GB

2020 New developed products



Blue Edge

White Edge



## Areas of application

- Landscape
- Swimming pool / Inwater
- Outdoor decorative



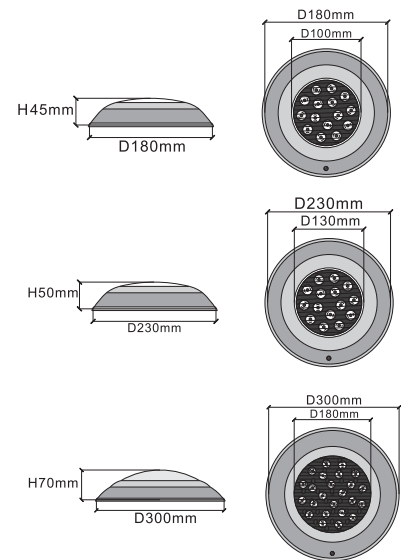
## Product benefits

- Multi-colors or RGB are available.
- Available for all kinds of in-water lighting
- Easy to install, Wall mounted installation
- Excellent Ip68 waterproof grade.

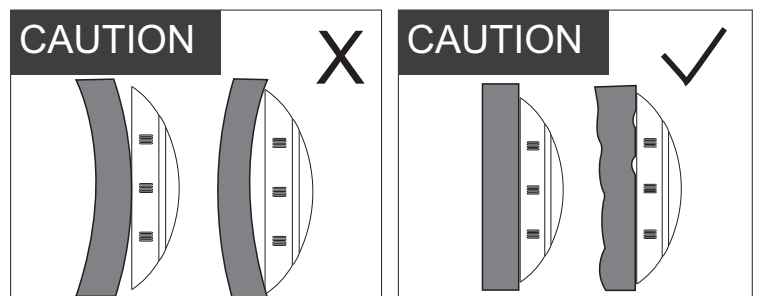
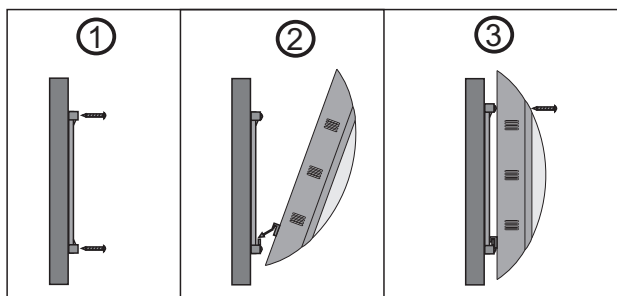
## Product features

- Excellent optical design creates the light even and soft.
- Unique design creates a perfectly amazing visual appearance.
- Eco-PMMA lens, PC cover with 304 stainless housing.
- Multi-colors mode: Single / RGB with RF remoter.

## Dimension



## Installation instructions



## Technical data

Item No.	Nominal Watts	Size(mm)	Temperature	LED Chips	Beam Angle	Material	Volt.	IP Grade	Warranty
DL-SDA-GB180	6 W	D180*H45	W/WW/R/G/B/RGB	Epistar/Bridgelux/Cree	45°	Stainless steel	AC 12 V	IP 68	2 Years
DL-SDA-GB230	9/12/15 W	D230*H50	W/WW/R/G/B/RGB	Epistar/Bridgelux/Cree	45°	Stainless steel	AC 12 V	IP 68	2 Years
DL-SDA-GB300	18/24 W	D300*H70	W/WW/R/G/B/RGB	Epistar/Bridgelux/Cree	45°	Stainless steel	AC 12 V	IP 68	2 Years



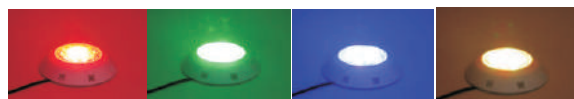
# LED SWIMMING POOL LAMPS

**DL-SDB-GB**

2020 New developed products

### Areas of application

- Landscape
- Swimming pool / Inwater
- Outdoor decorative



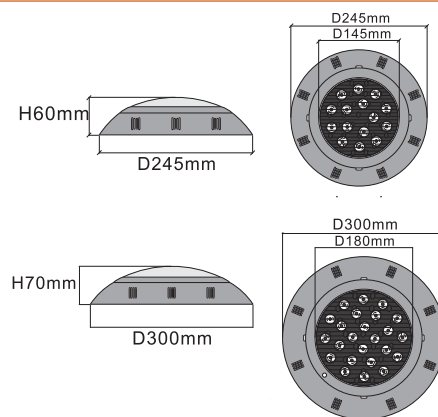
### Product benefits

- Multi-colors or RGB are available.
- Available for all kinds of in-water lighting
- Easy to install, Wall mounted installation
- Excellent Ip68 waterproof grade.

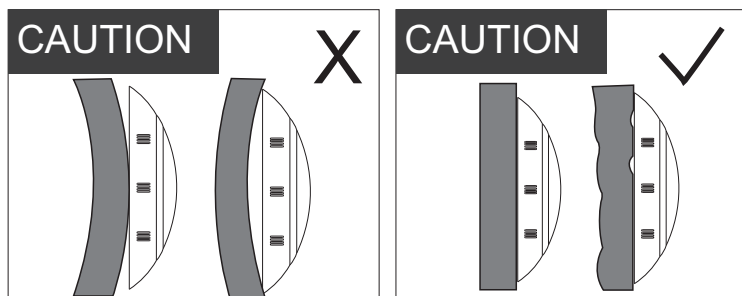
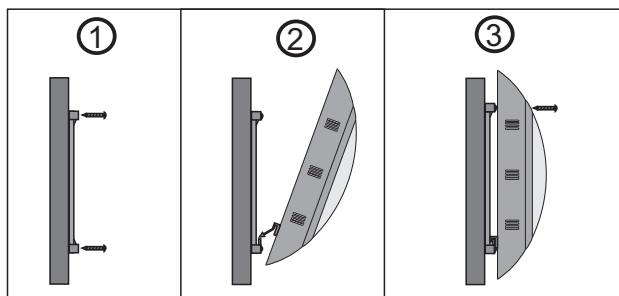
### Product features

- Excellent optical design creates the light even and soft.
- Unique design creates a perfectly amazing visual appearance.
- Eco-PMMA lens, PC cover with ABS housing.
- Multi-colors mode: Single / RGB with RF remote.

### Dimension



### Installation instructions



### Technical data

Item No.	Nominal Watts	Size(mm)	Temperature	LED Chips	Beam Angle	Material	Volt.	IP Grade	Warranty
DL-SDB-GB245	9/12/15 W	D245*H60	W/WW/R/G/B/RGB	Epistar/Bridgelux/Cree	45°	ABS	AC 12 V	IP 68	2 Years
DL-SDB-GB300	18/24 W	D300*H70	W/WW/R/G/B/RGB	Epistar/Bridgelux/Cree	45°	ABS	AC 12 V	IP 68	2 Years



# LED SWIMMING POOL LAMPS



**DL-SDC-GB**

2020 New developed products

### Areas of application

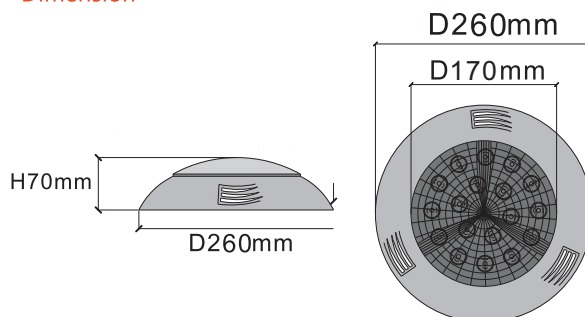
- Landscape
- Swimming pool / Inwater
- Outdoor decorative



### Product benefits

- Multi-colors or RGB are available.
- Available for all kinds of in-water lighting
- Easy to install, Wall mounted installation
- Excellent Ip68 waterproof grade.

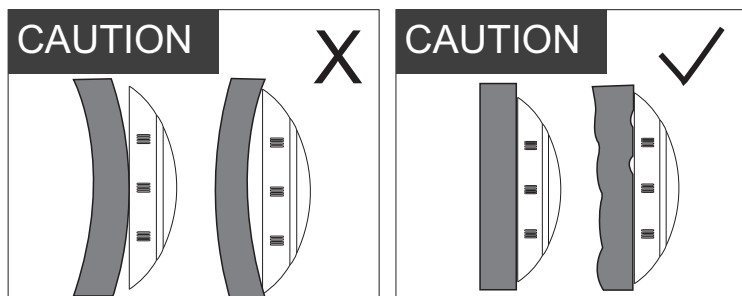
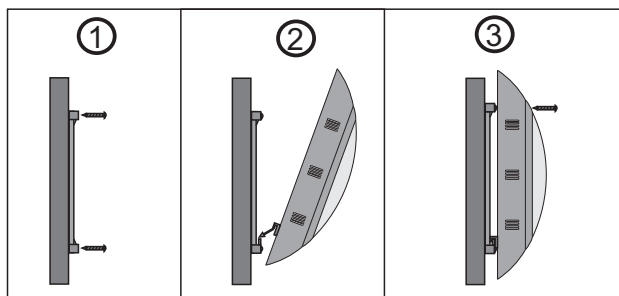
### Dimension



### Product features

- Excellent optical design creates the light even and soft.
- Unique design creates a perfectly amazing visual appearance.
- Eco-PMMA lens, PC cover with ABS houseing.
- Multi-colors mode: Single / RGB with RF remoter.

### Installation instructions



### Technical data

Item No.	Nominal Watts	Size(mm)	Temperature	LED Chips	Beam Angle	Material	Volt.	IP Grade	Warranty
DL-SDC-GB260	12/15/18 W	D260*H70	W/WW/R/G/B/RGB	Epistar/Bridgelux/Cree	45°	ABS	AC 12 V	IP 68	2 Years



# LED SWIMMING POOL LAMPS

**DL-SDD-PAR**

## 2020 New developed products



Housing:  
Stainless steel

Housing: ABS



### Areas of application

- Landscape
- Swimming pool / Inwater
- Outdoor decorative



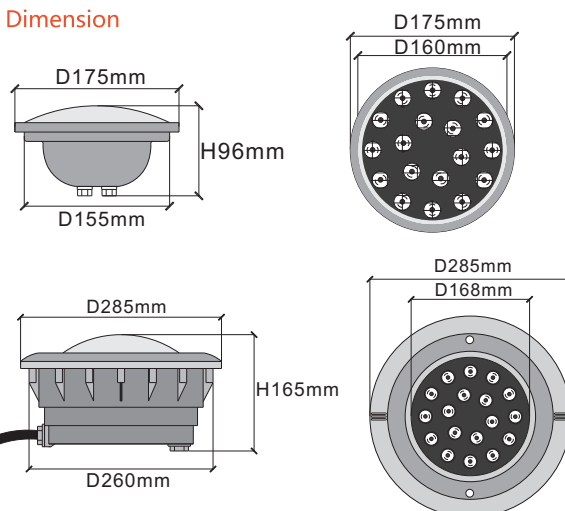
### Product benefits

- Multi-colors or RGB are available.
- Available for all kinds of in-water lighting
- Easy to install, Wall mounted installation
- Excellent Ip68 waterproof grade.

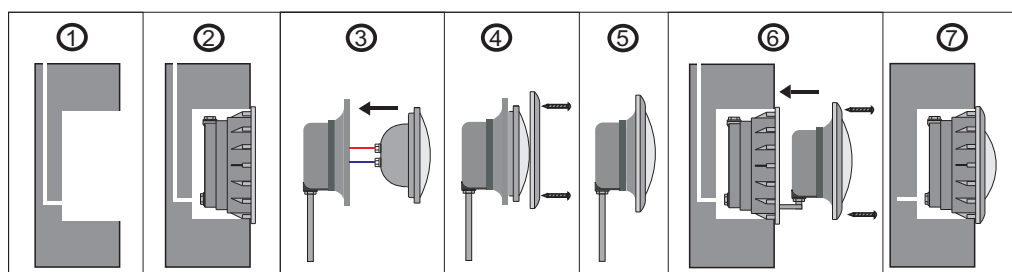
### Product features

- Excellent optical design creates the light even and soft.
- Unique design creates a perfectly amazing visual appearance.
- Eco-PMMA lens, PC cover with 304 stainless housing or ABS housing.
- Multi-colors mode: Single / RGB with RF remote.

### Dimension



### Installation instructions



### Technical data

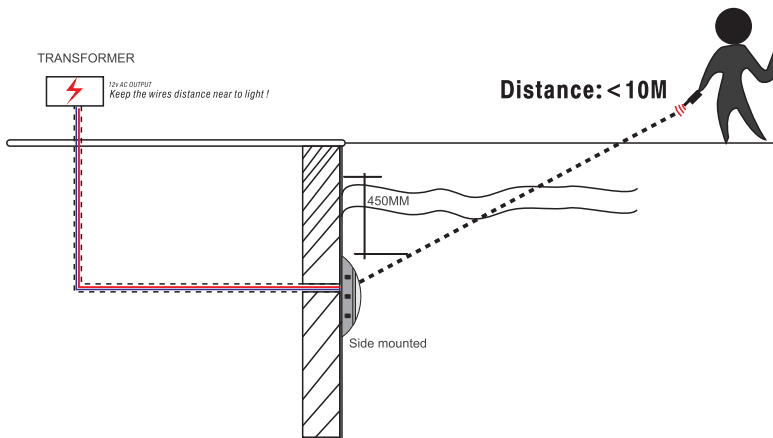
Item No.	Nominal Watts	Size(mm)	Temperature	LED Chips	Beam Angle	Material	Volt.	IP Grade	Warranty
DL-SDD-PAR56	9/12/15/18/24 W	D178*H96	W/WW/R/G/B/RGB	Epistar/Bridgelux/Cree	45°	Stainless steel	AC 12 V	IP 68	2 Years
DL-SDD-PAR56B	9/12/15/18 W	D178*H96	W/WW/R/G/B/RGB	Epistar/Bridgelux/Cree	45°	ABS	AC 12 V	IP 68	2 Years



# LED SWIMMING POOL LAMPS

## Installation guide

RGB SERIES NEED RF-REMOTER + POTENTIAL TRANSFORMER.  
SINGLE SERIES NEED 12V POTENTIAL TRANSFORMER.

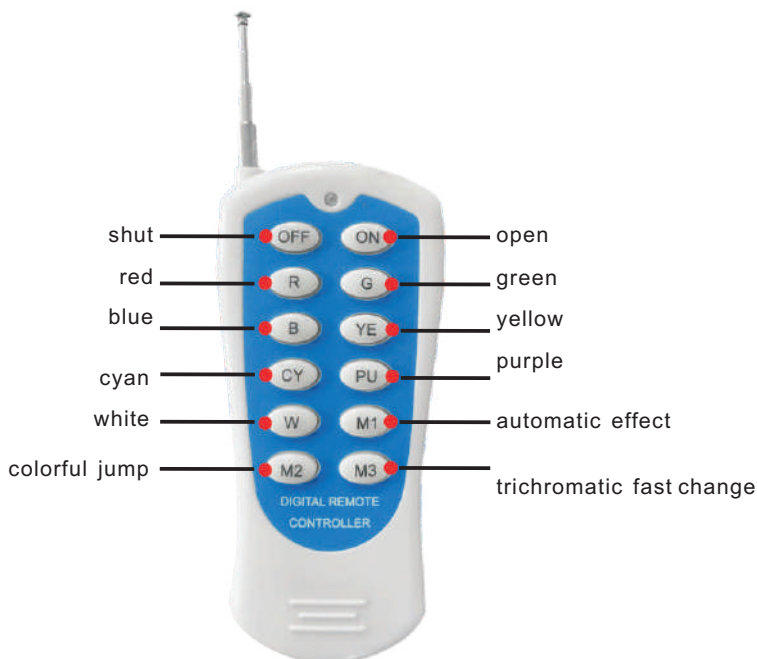


## Use suggestion:

- Please calculate the Power supply watts according to numbers of lamps .
  - According the wires watts consumption, please using more watts transformers for fitting.
  - Working in 12V ac.
  - Power supply and RF controller should be controlled in 10m distance from lamps
- If RF key is not sensitive, please walk closer to light and press key for 2 seconds instead Of press one time.



## RF Remote control specification:



## Surface mounted installation reference

